

VEG TRUG (S)



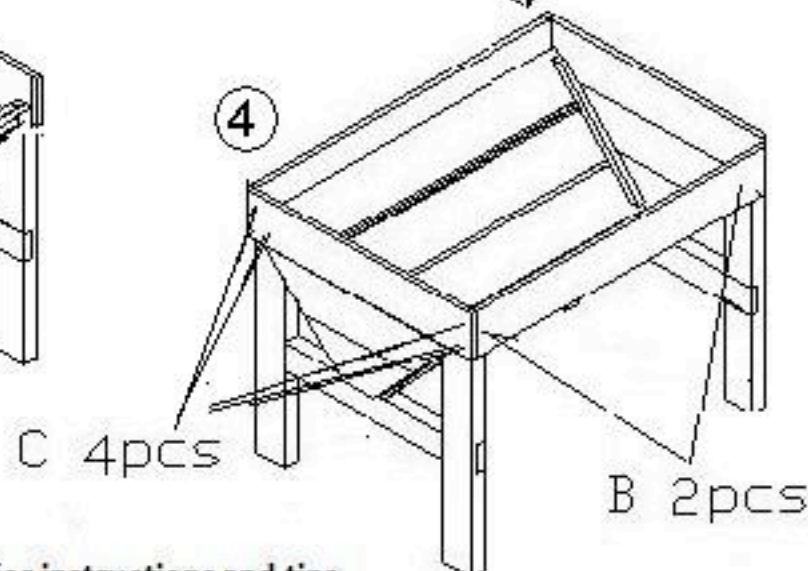
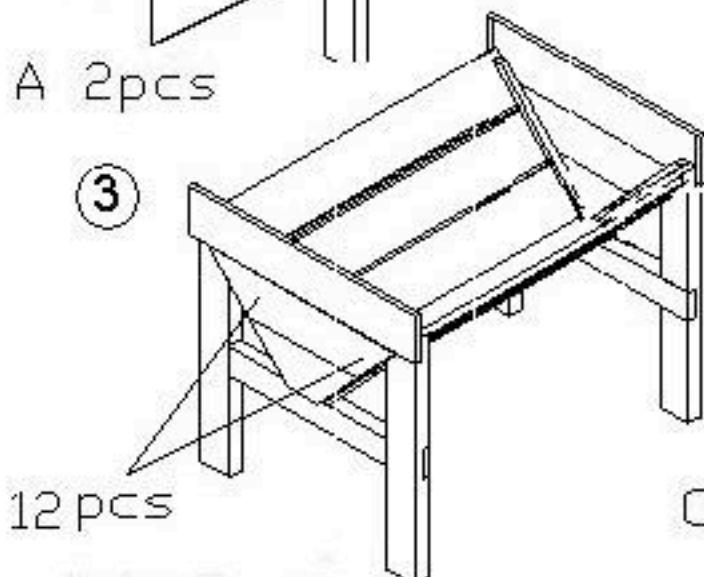
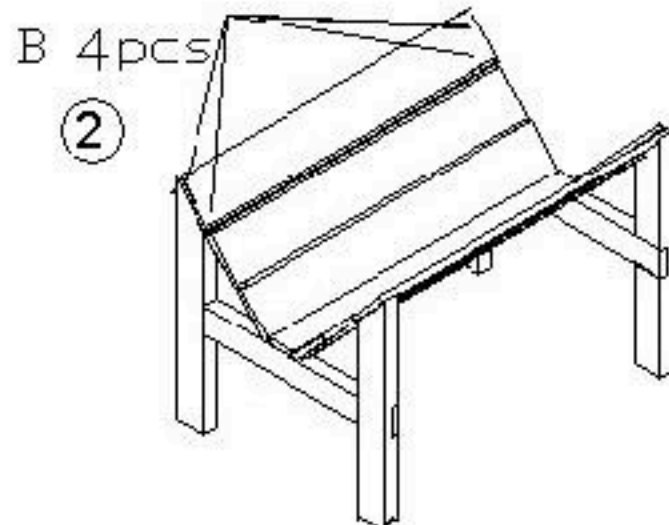
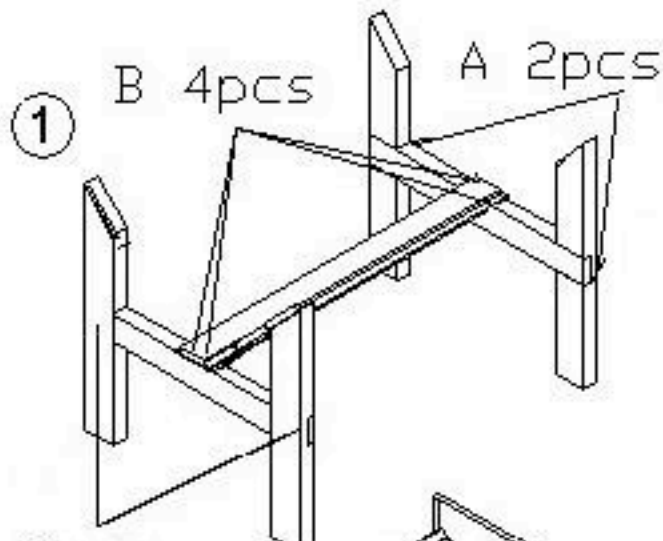
A 12*55 4pcs



B 4*35 40pcs



C 4*40 8pcs



Congratulations on your purchase of the VegTrug. Please go to www.vegtrug.com for instructions and tips on what you can grow and how to get the best use from your VegTrug.

After you have put the VegTrug together, simply place the pre-formed liner into the VegTrug so that the top edge overlaps. Fold the liner back over the top edge of the VegTrug and then pull the draw string tight to tighten the liner and hold it in place whilst you fill the VegTrug with a suitable compost/soil. Fill to within 2 - 4cm of the top edge. Once the soil is in place, you can release the draw string and tuck the liner down to be level with the soil. It is a good idea to put the VegTrug in place before you fill it with soil!

Your VegTrug is now ready for planting. Go to www.vegtrug.com to see what you can grow!

The large (2m) VegTrug will take around 7 (60L) bags of compost/soil and the small (1m) VegTrug will take 3.5 (60L) bags.

Replacement liners can be purchased from www.vegtrug.com or your local stockist.